

SINTRA EcoDesign

PANADERO



MEASURES

DIMENSIONS H x W x D	800x810x575 mm
GROSS/NET WEIGHT	128/118 kg
FIREWOOD ENTRANCE	305x325 mm
SMOKE FLUE	Ø 150-153 mm

Top

CHARACTERISTICS

CAST IRON GRILL AND DOOR	
NOMINAL HEAT OUTPUT	7 KW
EFFICIENCY	75 %
CO EMISSIONS	0,10 %
HEAT RESISTANT PAINT	800°C
CERAMIC GLASS HEAT RESISTANCE	750°C

EAN 8426964186154
REF. PANADERO 18615

PRODUCT PLUS

ECODESIGN



WOOD LOG STORAGE



WOOD LOGS UP TO 60 CM



HEATING VOLUME



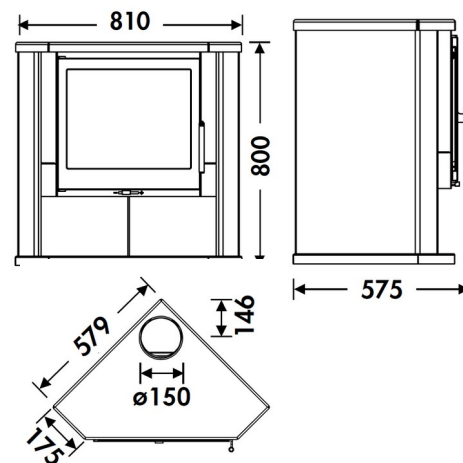
CLEAN GLASS SYSTEM



TRIPLE COMBUSTION



DOUBLE STEEL BODY
SHEET 4 + 4 MM



SINTRA EN

