

OVAL 3 STONES EcoDesign

PANADERO

MEASURES

DIMENSIONS H x W x D	1048x605x490mm
GROSS/NET WEIGHT	197/187 kg
FIREWOOD ENTRANCE	355x440 mm
SMOKE FLUE	Ø 150-153 mm Vertical
EXTERNAL AIR INTAKE	Ø 80 mm

CHARACTERISTICS

CAST IRON GRILL	
NOMINAL HEAT OUTPUT	8,7 KW
EFFICIENCY	80,7 %
CO EMISSIONS	0,10 %
HEAT RESISTANT PAINT	800°C
CERAMIC GLASS HEAT RESISTANCE	750°C

EAN 8426964183153
REF. PANADERO 18315

PRODUCT PLUS

ECODESIGN



EXTERNAL AIR INTAKE



VERMICULITE LINING



DOUBLE STEEL BODY SHEET 4 + 2 MM



WOOD LOG STORAGE



WOOD LOGS UP TO 50 CM



HEATING VOLUME



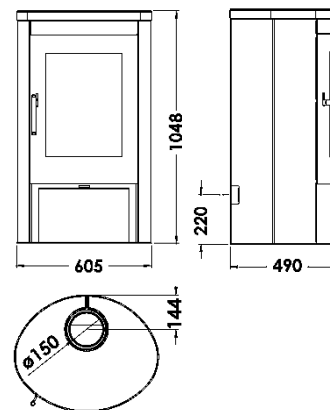
CLEAN GLASS SYSTEM



TRIPLE COMBUSTION



NATURAL STONE



OVAL 3S EN

