

# OVAL 1 STONE EcoDesign

# PANADERO



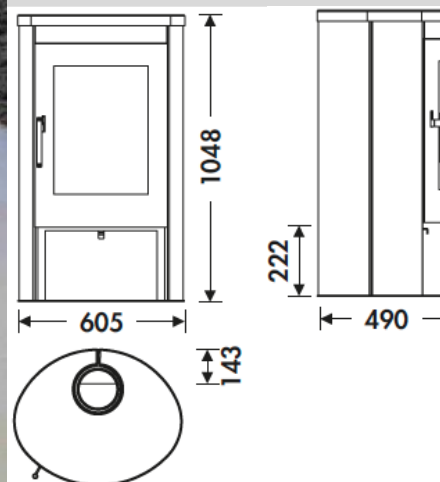
## MEASURES

DIMENSIONS H x W x D	1048x605x490 mm
GROSS/NET WEIGHT	164/153 kg
FIREWOOD ENTRANCE	355x440 mm
SMOKE FLUE	Ø 150-153 mm Top

## CHARACTERISTICS

CAST IRON GRILL	
NOMINAL HEAT OUTPUT	8,7 KW
EFFICIENCY	80,7 %
CO EMISSIONS	0,10 %
HEAT RESISTANT PAINT	800°C
CERAMIC GLASS HEAT RESISTANCE	750°C

EAN 8426964183108  
REF. PANADERO 18310



## PRODUCT PLUS

### ECODESIGN



EXTERNAL AIR INTAKE



VERMICULITE LINING



DOUBLE STEEL BODY SHEET 4 + 2 MM



WOOD LOG STORAGE



NATURAL STONE



CLEAN GLASS SYSTEM



TRIPLE COMBUSTION



WOOD LOGS 50 CM



HEATING VOLUME



flamme  
VERTE

Le label  
du chauffage  
au bois

7 ★



OVAL 1S EN