

# MAJA EcoDesign

# PANADERO



## MEASURES

DIMENSIONS H x W x D	854x796x470 mm
GROSS/NET WEIGHT	157/142 kg
FIREWOOD ENTRANCE	620x286 mm
SMOKE FLUE	Ø 150-153 mm Top

## CHARACTERISTICS

CAST IRON GRILL	
PANORAMIC VISION	
STEEL BODY SHEET	5 mm
NOMINAL HEAT OUTPUT	7 KW
EFFICIENCY	80,7 %
CO EMISSIONS	0,10 %
HEAT RESISTANT PAINT	800°C
CERAMIC GLASS HEAT RESISTANCE	750°C

EAN 8426964184051  
REF. PANADERO 18405

## PRODUCT PLUS

### ECODESIGN



EXTERNAL AIR INTAKE



VERMICULITE LINING



WOOD LOGS 60 CM



HEATING VOLUME



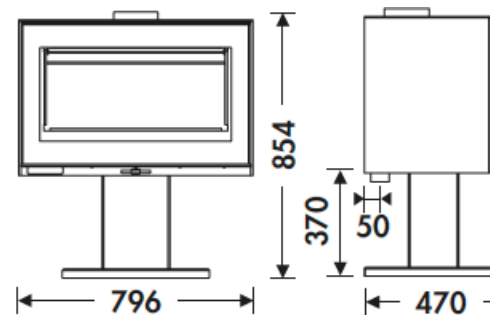
TRIPLE COMBUSTION



CLEAN GLASS SYSTEM



DOUBLE LOCK



MAJA EN