

C-820-S EcoDesign

PANADERO



MEASURES

DIMENSIONS H x W x D	625x770x566 mm
GROSS/NET WEIGHT	106/96 kg
FIREWOOD ENTRANCE	600x300 mm
SMOKE FLUE	Ø 150-153 mm Top

CHARACTERISTICS

CAST IRON GRILL	
PANORAMIC VISION	
NOMINAL HEAT OUTPUT	7 KW
EFFICIENCY	81 %
CO EMISSIONS	0,10 %
HEAT RESISTANT PAINT	800°C
CERAMIC GLASS HEAT RESISTANCE	750°C

EAN 8426964190854
REF. PANADERO 19085

PRODUCT

ECODESIGN



EXTERNAL AIR INTAKE



VERMICULITE LINING



PRINTED GLASS



WOOD LOGS 60 CM



HEATING VOLUME



CLEAN GLASS SYSTEM



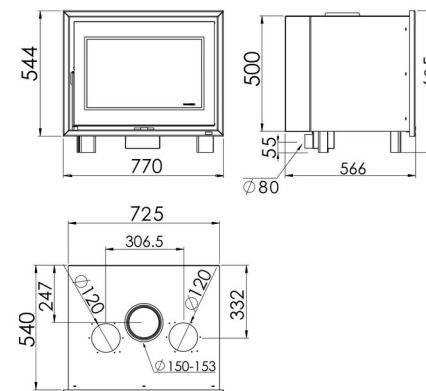
TRIPLE COMBUSTION



AIR DUCTING



TANGENTIAL VENTILATOR



C-820-S EN



A+



TÜVRheinland®
CERT
ISO 9001

