

HS EcoDesign PANADERO



MEASURES

DIMENSIONS H x W x D	594x617x396 mm
GROSS/NET WEIGHT	112/98 kg
FIREWOOD ENTRANCE	485x361 mm
SMOKE FLUE	Ø 150-153 mm Vertical

CHARACTERISTICS

CAST IRON GRILL AND DOOR	
NOMINAL HEAT OUTPUT	7,1 KW
EFFICIENCY	80,7 %
CO EMISSIONS	0,10 %
HEAT RESISTANT PAINT	800°C
CERAMIC GLASS HEAT RESISTANCE	750°C

EAN 8426964190106
REF. PANADERO 19010

PRODUCT PLUS

ECODESIGN



WOOD LOGS UP TO 50 CM



HEATING VOLUME



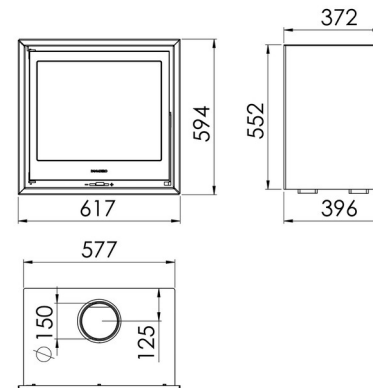
CLEAN GLASS SYSTEM



TRIPLE COMBUSTION



DOUBLE STEEL BODY SHEET 4 + 3 MM



A+



TÜVRheinland®
CERT
ISO 9001



HOGAR HS EN