

HARMONIE 3V EcoDesign

PANADERO

MEASURES

DIMENSIONS H x W x D	889x796x482 mm
GROSS/NET WEIGHT	160/150 kg
FIREWOOD ENTRANCE	620x286 mm
SMOKE FLUE	Ø 150-153 mm Top

CHARACTERISTICS

CAST IRON GRILL	
THREE-SIDED VISION	
STEEL BODY SHEET	5 mm
NOMINAL HEAT OUTPUT	7,2 KW
EFFICIENCY	77%
CO EMISSIONS	0,10%
HEAT RESISTANT PAINT	800°C
CERAMIC GLASS HEAT RESISTANCE	750°C

EAN 8426964184105
REF. 18410

PRODUCT PLUS

ECODESIGN



EXTERNAL AIR INTAKE



VERMICULITE LINING



WOOD LOGS 60 CM



220 m³ HEATING VOLUME



CLEAN GLASS SYSTEM



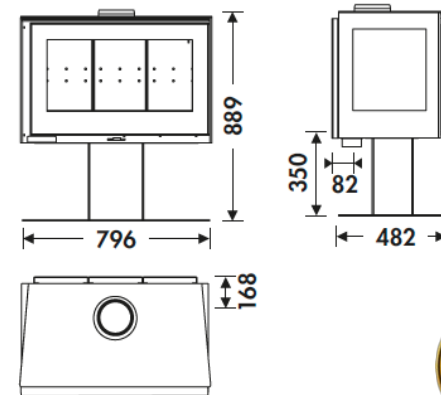
TRIPLE COMBUSTION



DOUBLE LOCK



RADIATION CONVENTION



HARMONIE EN