

F-720-S

EcoDesign

PANADERO



MEASURES

DIMENSIONS H x W x D	625x700x485 mm
GROSS/NET WEIGHT	85/75 kg
FIREWOOD ENTRANCE	550x311 mm
SMOKE FLUE	150-153 mm Top

CHARACTERISTICS

CAST IRON GRILL	
PANORAMIC VISION	
NOMINAL HEAT OUTPUT	7 KW
EFFICIENCY	81 %
CO EMISSIONS	0,10 %
HEAT RESISTANT PAINT	800°C
CERAMIC GLASS HEAT RESISTANCE	750°C

EAN 8426964190502
REF. PANADERO 19050

PRODUCT PLUS

ECODESIGN



EXTERNAL AIR INTAKE



VERMICULITE LINING



PRINTED GLASS



WOOD LOGS 50 CM



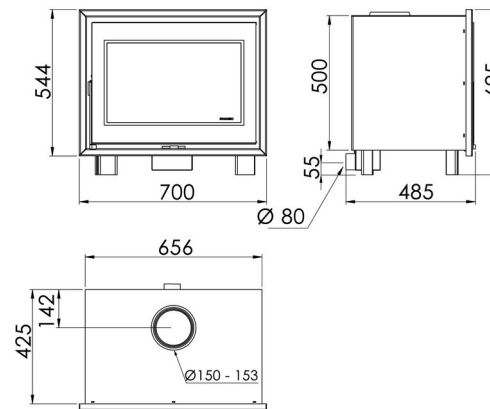
HEATING VOLUME



CLEAN GLASS SYSTEM



TRIPLE COMBUSTION



A+



TÜVRheinland®
CERT
ISO 9001



F-720-S EN