

101-S

EcoDesign

PANADERO



MEASURES

DIMENSIONS H x W x D	627x1120x470 mm
GROSS/NET WEIGHT	176/170 kg
FIREWOOD ENTRANCE	885x300 mm
SMOKE FLUE	150-153 mm Top

CHARACTERISTICS

CAST IRON GRILL	
PANORAMIC VISION	
NOMINAL HEAT OUTPUT	8,9 kW
EFFICIENCY	80,8 %
CO EMISSIONS	0,10 %
HEAT RESISTANT PAINT	800°C
CERAMIC GLASS HEAT RESISTANCE	750°C

EAN 8426964191004
REF. PANADERO 19100



101-S EN

PRODUCT PLUS

ECODESIGN



EXTERNAL AIR INTAKE



VERMICULITE LINING



PRINTED GLASS



WOOD LOGS 80 CM



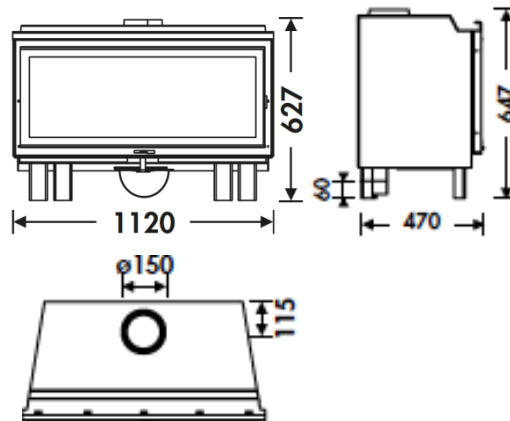
HEATING VOLUME



CLEAN GLASS SYSTEM



TRIPLE COMBUSTION



A+



TÜVRheinland®
CERT
ISO 9001

