

FENIX EcoDesign

PANADERO

MEASURES

DIMENSIONS H x W x D	854x796x463 mm
GROSS/NET WEIGHT	155/141 kg
FIREWOOD ENTRANCE	620x286 mm
SMOKE FLUE	Ø 150-153 mm Top

CHARACTERISTICS

CAST IRON GRILL	
PANORAMIC VISION	
STEEL BODY SHEET	5 mm
NOMINAL HEAT OUTPUT	7 KW
EFFICIENCY	80,7 %
CO EMISSIONS	0,10 %
HEAT RESISTANT PAINT	800°C
CERAMIC GLASS HEAT RESISTANCE	750°C

EAN 8426964184150
REF. PANADERO 18415

PRODUCT PLUS

ECODESIGN



EXTERNAL AIR
INTAKE



VERMICULITE
LINING



WOOD LOG STORAGE



WOOD LOGS 60 CM



HEATING VOLUME



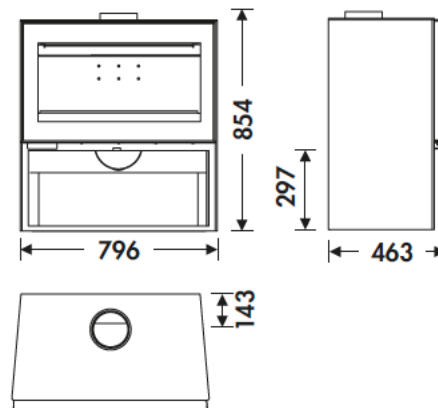
CLEAN GLASS SYSTEM



TRIPLE COMBUSTION



DOUBLE LOCK



A+



FENIX EN