

FARO EcoDesign

PANADERO

MEASURES

DIMENSIONS H x W x D	825x672x481 mm
GROSS/NET WEIGHT	111/99 kg
FIREWOOD ENTRANCE	432x290 mm
SMOKE FLUE	Ø 150-153 mm Top

CHARACTERISTICS

CAST IRON GRILL AND DOOR	
NOMINAL HEAT OUTPUT	6,9 KW
EFFICIENCY	77,0 %
CO EMISSIONS	0,10 %
HEAT RESISTANT PAINT	800°C
CERAMIC GLASS HEAT RESISTANCE	750°C

EAN 8426964186260
REF. PANADERO 18626

PRODUCT PLUS

ECODESIGN



WOOD LOG STORAGE



WOOD LOGS UP TO 60 CM



210 m³ HEATING VOLUME



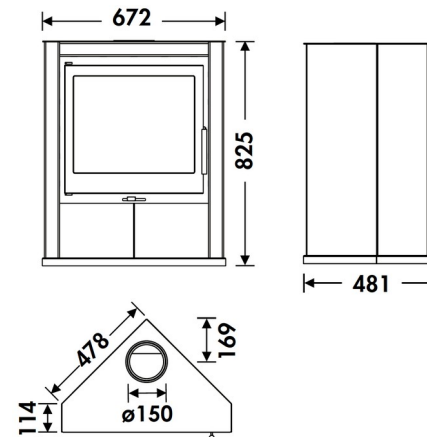
CLEAN GLASS SYSTEM



DOUBLE COMBUSTION



DOUBLE STEEL BODY SHEET 3 + 4 MM



FARO EN