

DOVER EcoDesign

PANADERO

MEASURES

DIMENSIONS H x W x D	726x537x477 mm
GROSS/NET WEIGHT	100/92 kg
FIREWOOD ENTRANCE	400x300 mm
SMOKE FLUE	Ø 120-125 mm Horizontal
OVEN H x W x D	60x520x360 mm






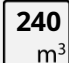
CHARACTERISTICS

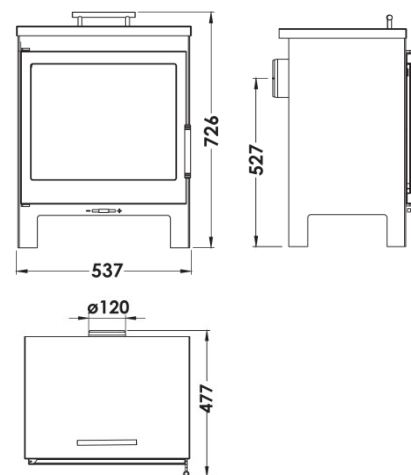
CAST IRON GRILL AND DOOR	
NOMINAL HEAT OUTPUT	8 KW
EFFICIENCY	77 %
CO EMISSIONS	0,10 %
HEAT RESISTANT PAINT	800°C
CERAMIC GLASS HEAT RESISTANCE	750°C

EAN 8426964187199
REF. PANADERO 18719

PRODUCT PLUS

ECODESIGN

-  CLEAN GLASS SYSTEM
-  DOUBLE COMBUSTION
-  DOUBLE STEEL BODY SHEET 4 + 4 MM
-  OVEN
-  WOOD LOGS UP TO 45 CM
-  240 m³ HEATING VOLUME



DOVER EN