

CHAMBERY EcoDesign

PANADERO

MEASURES

DIMENSIONS H x W x D	751x630x389 mm
GROSS/NET WEIGHT	106/98 kg
FIREWOOD ENTRANCE	485x361 mm
SMOKE FLUE	Ø 150-153 mm
	Horizontal
DIAGONAL GLASS LENGTH	600 mm

CHARACTERISTICS

CAST IRON GRILL AND DOOR	
NOMINAL HEAT OUTPUT	7,1 KW
EFFICIENCY	80,7 %
CO EMISSIONS	0,10 %
HEAT RESISTANT PAINT	800°C
CERAMIC GLASS HEAT RESISTANCE	750°C

EAN 8426964186703
REF. PROVEDOR 18670

PRODUCT PLUS

ECODESIGN



WOOD LOGS 50 CM



210 m³ HEATING VOLUME



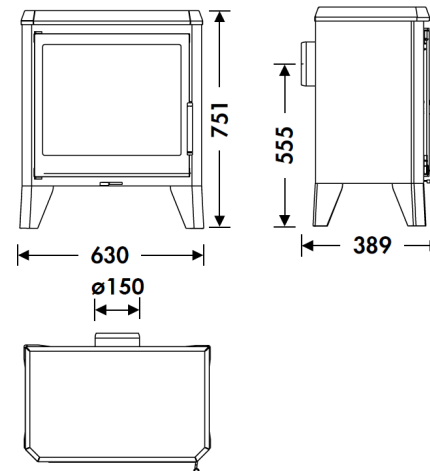
CLEAN GLASS SYSTEM



TRIPLE COMBUSTION



DOUBLE STEEL BODY SHEET 4 + 4 MM



A+



TÜVRheinland®
CERT
ISO 9001



CHAMBERY EN