

CB

EcoDesign

PANADERO



MEASURES

DIMENSIONS H x W x D	612x756x539 mm
GROSS/NET WEIGHT	156/139 kg
FIREWOOD ENTRANCE	600x370 mm
SMOKE FLUE	Ø 150-153 mm Top

CHARACTERISTICS

CAST IRON GRILL AND DOOR	
PANORAMIC VISION	
NOMINAL HEAT OUTPUT	9,8 KW
EFFICIENCY	80,7 %
CO EMISSIONS	0,10 %
HEAT RESISTANT PAINT	800°C
CERAMIC GLASS HEAT RESISTANCE	750°C

EAN 8426964190403
REF. PANADERO 19040

PRODUCT PLUS

ECODESIGN



WOOD LOGS UP TO 60 CM



VERMICULITE LINING



290 m³ HEATING VOLUME



CLEAN GLASS SYSTEM



TRIPLE COMBUSTION



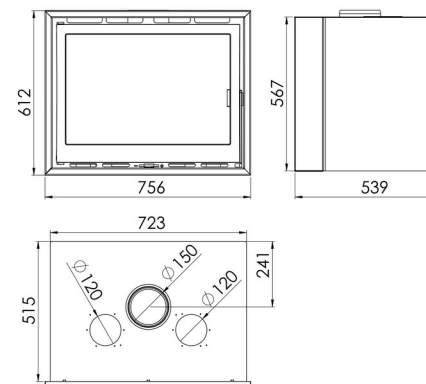
TANGENTIAL FAN



AIR DUCTING



DOUBLE STEEL BODY
SHEET 4 + 3 MM



CB EN



A+



TÜVRheinland®
CERT
ISO 9001

