

CASTILLA EcoDesign

PANADERO

MEASURES

DIMENSIONS H x W x D	760x592x480 mm
GROSS/NET WEIGHT	103/94 kg
FIREWOOD ENTRANCE	420x275 mm
SMOKE FLUE	Ø 120-125 mm Horizontal
OVEN H x W x D	60x567x360 mm

CHARACTERISTICS

CAST IRON GRILL AND DOOR	
NOMINAL HEAT OUTPUT	8 KW
EFFICIENCY	77 %
CO EMISSIONS	0,10 %
HEAT RESISTANT PAINT	800°C
CERAMIC GLASS HEAT RESISTANCE	750°C

EAN 8426964187236
REF. PANADERO 18723

PRODUCT PLUS

ECODESIGN



OVEN



WOOD LOGS UP TO 45 CM



HEATING VOLUME



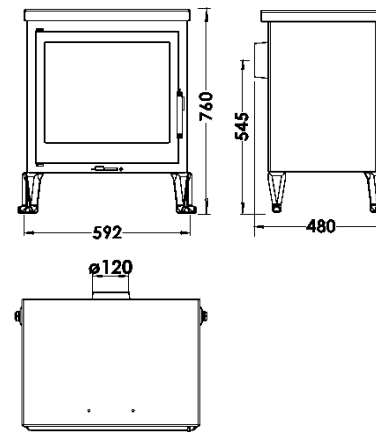
CLEAN GLASS SYSTEM



DOUBLE COMBUSTION



DOUBLE STEEL BODY
SHEET 4 + 4 MM



A



TÜVRheinland
CERT
ISO 9001



CASTILLA EN