

CANADA EcoDesign

PANADERO

MEASURES

DIMENSIONS H x W x D **2067-2835x700x500mm**

GROSS/NET WEIGHT **139/129 kg**

FIREWOOD ENTRANCE **460x295 mm**

SMOKE FLUE **Ø 150-153 mm**

Top

CHARACTERISTICS

CAST IRON GRILL

NOMINAL HEAT OUTPUT **5,9 KW**

EFFICIENCY **77%**

CO EMISSIONS **0,10%**

HEAT RESISTANT PAINT **800°C**

CERAMIC GLASS HEAT RESISTANCE **750°C**

EAN 8426964188103
REF. PANADERO 18810

PRODUCT PLUS

ECODESIGN



VERMICULITE LINING



WOOD LOG STORAGE



WOOD LOGS UP TO 50 CM



HEATING VOLUME



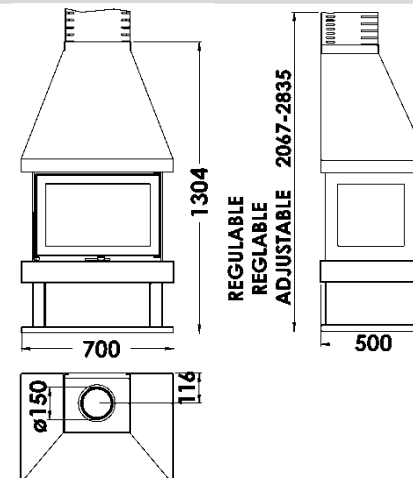
CLEAN GLASS SYSTEM



5 MM STEEL BODY



TRIPLE COMBUSTION



CANADA EN