

# ANDES EcoDesign

# PANADERO



## MEASURES

DIMENSIONS H x W x D	850x468x409 mm
GROSS/NET WEIGHT	118/100 kg
FIREWOOD ENTRANCE	290x360 mm
SMOKE FLUE	Ø 150-153 mm Top

## CHARACTERISTICS

STEEL BODY SHEET	5 mm
NOMINAL HEAT OUTPUT	7,5 KW
EFFICIENCY	80,7 %
CO EMISSIONS	0,10 %
HEAT RESISTANT PAINT	800°C
CERAMIC GLASS HEAT RESISTANCE	750°C

EAN 8426964185003  
REF. PANADERO 18500

## PRODUCT PLUS

### ECODESIGN



EXTERNAL AIR INTAKE



VERMICULITE LINING



PRINTED GLASS



WOOD LOG STORAGE



CLEAN GLASS SYSTEM



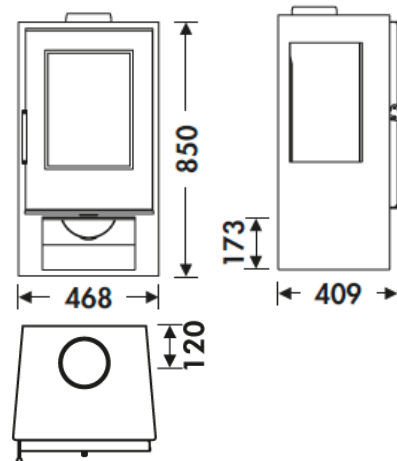
TRIPLE COMBUSTION



WOOD LOGS 40 CM



HEATING VOLUME



ANDES EN